

CHARACTERISTICS/TESTS

In accordance with ANSI C29.9

Glaze: Light-grey Munsell Notations N°70
 Approximate weight 37.9 lbs

DIMENSIONS

Minimum leakage distance 15.5 in

MECHANICAL VALUES

Cantilever breaking strength, upright 4000 lbs
 Cantilever breaking strength, underhung 4000 lbs
 Tensile breaking strength 20000 lbs
 Torsional breaking moment 14000 in.lbs
 Compression breaking strength 20000 lbs

ELECTRICAL VALUES

Guaranteed voltage:
 Critical impulse dry, wave 1.2/50 - positive polarity 125 kV
 Power frequency wet, withstand 45 kV
 Impulse dry, wave 1.2/50 - withstand, positive polarity 110 kV

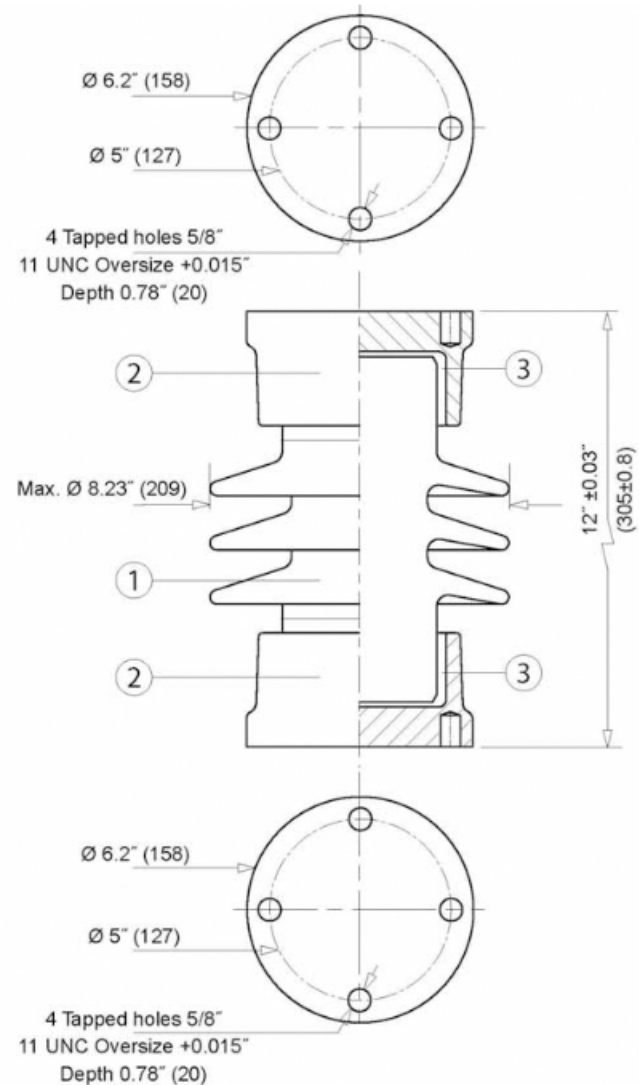
Test voltage 10 kV
 Maxi RIV at 1 MHz 50 μV

GENERAL TOLERANCE

± (0.04d + 0.06) in., if d ≤ 11.8 in.
 ± (0.025d + 0.24) in., if d > 11.8 in.

CONVERSION TABLE

DIMENSIONS	1	mm	0.03937	inch
	25.4	mm	1	inch
FORCE	1	N	0.22481	pound
	4.448	N	1	pound
MOMENT OF FORCE	1	Nm	8.8495	inch-pound
	0.113	Nm	1	inch-pound



EGER PRODUCTS, INC.

REVISIONS:

PROPRIETARY AND CONFIDENTIAL
 THE INFORMATION CONTAINED IN THIS
 DRAWING IS THE SOLE PROPERTY OF
 EGER PRODUCTS, INC.. ANY
 REPRODUCTION IN PART OR AS A WHOLE
 WITHOUT THE WRITTEN PERMISSION OF
 EGER PRODUCTS INC. IS
 PROHIBITED.

DATE: 8/1/2014

CUSTOMER:

SCALE: NTS

TR225

DRAWN BY: E. GREEN

DWG. OUTDOOR STATION POST INSULATOR

APPROVED BY:

MATERIAL: